

1 - TECHNICAL SPECIFICATIONS

A. GAS NAILER

| | | |
|-------------------|-----------|-----------|
| Model No. | EF160HDLi | |
| Dimensions | | |
| Length | 525 mm | |
| Height | 350 mm | |
| Width | 120 mm | |
| Weight | 4.07 kg | |
| Recommended Usage | 600/Hr | 3,000/Day |

Noise

| | |
|---------------|-----------------|
| $L_{pA,1s}$ | = 97 ± 2dB (A) |
| $L_{pC,peak}$ | = 130 ± 2dB (C) |
| $L_{pA,1s}$ | = 91 ± 2dB (A) |
| $L_{WA,1s}$ | = 104 ± 2dB (A) |

Vibration

The vibration/mechanical impact risk is low, it is the users' responsibility to ensure that the operators are not put at risk due to environmental and work piece specifications.

B. FUEL CELL

| | |
|------------|--------|
| Model No. | FC165 |
| Dimensions | |
| Height | 165 mm |
| Diameter | 32 mm |

Fuel cell contains pre-mixed fuel and lubrication. No extra lubrication required.

Warning! Only specified Fuel Cell and Lubricant by ERGOFAST can be used on the tools, please consult the ERGOFAST agents or local distributors.

C. FASTENER

| | |
|----------------------|-----------|
| Dimensions | |
| Insulation Thickness | 25-160 mm |
| Pin Head Diameter | Ø6.3 mm |
| Pin Length | 47-52 mm |

| | |
|----------------------|-----------|
| Applications | |
| Insulation Thickness | 25-160 mm |

Only those fasteners which are specified in this specification shall be used in ERGOFAST Gas Tools. The ERGOFAST Gas Tool and the fasteners specified are to be considered as one unit safety system.

The charger and the battery are designed to operate together as one system.

D. BATTERY CHARGER

| | |
|---------------|--------------------|
| Art. No. | RLC07220 |
| Input | 100-240V ~ 50/60Hz |
| Output | 7.2V = 2.0A |
| Charging Time | 1 Hour |
| Battery Type | Ergofast RBL-07220 |

E. BATTERY

| | |
|----------|----------------|
| Art. No. | RBL-07220 |
| Output | 7.2V = |
| Capacity | 2.0Ah / 14.4Wh |

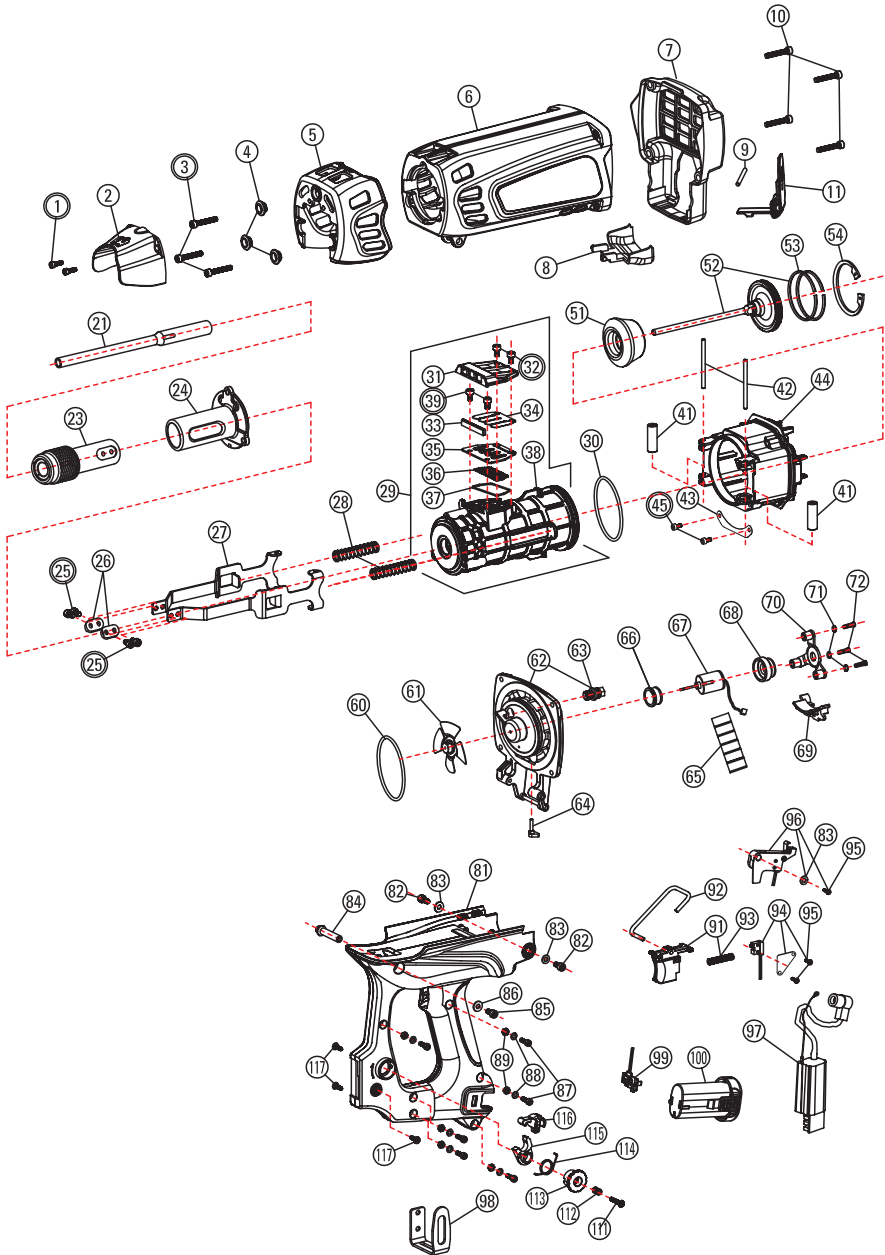
2 - TOOL SERIAL NUMBER

Located on the tool handle near the track connection.

08 YY MM 18 XXXX

- 08 - Ergofast
- YY - Year of construction (last two digits)
- MM - Month of construction
- 18 - Model Type
- XXXX - Tool serial number

3 - PARTS LIST



| POS. | CODE | DESCRIPTION |
|------|----------|-------------------------|
| 1 | 90 412 1 | SOCKET SCREW |
| 2 | 17 006 0 | CAP |
| 3 | 90 525 1 | SOCKET SCREW |
| 4 | 01 005 0 | BUSHING |
| 5 | 17 009 0 | SHEILD |
| 6 | 17 306 0 | HOUSING |
| 7 | 18 307 0 | HEAD COVER |
| 8 | 18 011 0 | BOTTOM COVER |
| 9 | 90 446 8 | STEEL PIN |
| 10 | 90 530 1 | SOCKET SCREW |
| 11 | 18 311 0 | FUEL DOOR |
| 21 | 59 001 0 | PIN GUIDE (G1) |
| 23 | 59 322 0 | GUIDE SLEEVE |
| 24 | 59 011 0 | NOSEPIECE |
| 25 | 90 512 1 | SOCKET SCREW |
| 26 | 59 015 0 | ARM CONNECTOR |
| 27 | 17 016 0 | CHAMBER ARM |
| 28 | 17 026 0 | CHAMBER SPRING |
| 29 | 17 329 0 | CYLINDER ASM |
| 30 | 17 024 0 | CYLINDER RING |
| 31 | 17 023 0 | VALVE COVER |
| 32 | 90 510 1 | SOCKET SCREW |
| 33 | 17 018 0 | FILTER |
| 34 | 17 022 0 | REED |
| 35 | 17 021 0 | VALVE PLATE |
| 36 | 17 020 0 | PERFRORATED PLATE |
| 37 | 17 019 0 | SEALING RING |
| 38 | 17 017 0 | CYLINDER BODY |
| 39 | 90 508 1 | SOCKET SCREW |
| 41 | 17 031 0 | RUBBER SLEEVE |
| 42 | 90 458 8 | STEEL PIN |
| 43 | 17 034 0 | CHAMBER PLATE |
| 44 | 17 344 0 | CHAMBER |
| 45 | 90 408 1 | SOCKET SCREW |
| 51 | 17 025 0 | BUMPER |
| 52 | 59 352 0 | PISTON (G1) |
| 53 | 17 028 0 | PISTON RING |
| 54 | 17 029 0 | RETAINING RING |
| 60 | 17 038 0 | HEAD RING |
| 61 | 01 062 0 | BLADE ASSEMBLY (M1, M4) |
| 62 | 18 362 0 | HEAD ASSEMBLY (M1, M4) |

| POS. | CODE | DESCRIPTION |
|------|----------|---------------------------|
| 63 | 01 065 0 | SPARK PLUG |
| 64 | 17 048 0 | FUEL NOZZLE |
| 65 | 01 067 0 | MOTOR SLEEVE |
| 66 | 17 042 0 | MOTOR BUMPER (M1, M3, M4) |
| 67 | 17 043 0 | MOTOR (M1) |
| 68 | 17 044 0 | MOTOR GUIDE (M1, M3, M4) |
| 69 | 17 049 0 | CONNECTOR HOLDER |
| 70 | 17 045 0 | MOTOR HOLDER (M1, M3, M4) |
| 71 | 90 407 5 | SPRING WASHER |
| 72 | 90 420 2 | ROUND HEAD SCREW |
| 81 | 18 381 0 | HANDLE HOUSING |
| 82 | 90 520 1 | SOCKET SCREW |
| 83 | 90 510 5 | WASHER |
| 84 | 17 384 0 | BUSHER |
| 85 | 90 514 1 | SOCKET SCREW |
| 86 | 90 512 5 | WASHER |
| 87 | 90 414 1 | SOCKET SCREW |
| 88 | 90 409 5 | WASHER |
| 89 | 90 400 6 | LOCKNUT |
| 91 | 17 391 0 | TRIGGER |
| 92 | 17 078 0 | CHAMBER STOP |
| 93 | 17 076 0 | TRIGGER SPRING |
| 94 | 17 394 1 | TRIGGER SWITCH (S1) |
| 95 | 90 309 3 | SELF TAP SCREW |
| 96 | 17 396 1 | MOTOR SWITCH (S1) |
| 97 | 17 072 0 | CONTROL UNIT |
| 98 | 17 083 0 | HOOK |
| 99 | 17 071 0 | BATTERY HOLDER |
| 100 | 17 102 0 | BATTERY (B1) |
| 111 | 90 425 3 | SELF TAP SCREW |
| 112 | 17 069 0 | SPRING |
| 113 | 17 068 0 | KNOB |
| 114 | 17 067 0 | SPRING |
| 115 | 17 066 0 | TRACK LOCK |
| 116 | 17 065 0 | TRACK LATCH |
| 117 | 90 410 3 | SELF TAP SCREW |